

# Outdoor Dome Camera



## Main Features

- ◆ 1/3" SONY 1.27Megapixel progressive scan Aptina CMOS;
- ◆ Auto Electronic Shutter,Auto White Balance;
- ◆ High speed, long distance real-time transmission;
- ◆ Resolution:800TVL;
- ◆ Aviation connector, Shock-proof, IP66;
- ◆ Solution:NVP2431H+IMX225

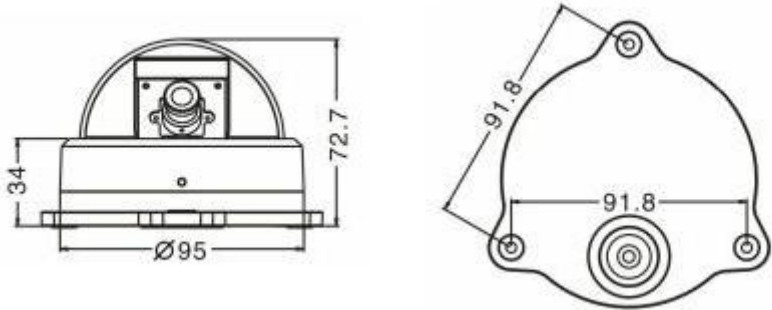
## Overview

Streamax outdoor dome camera can provide high resolution image, which can be applied inside and outside the vehicles with anti-vibration features and compact size. User can choose different lenses (2.5mm/2.8mm/3.6mm/6.0mm optional).

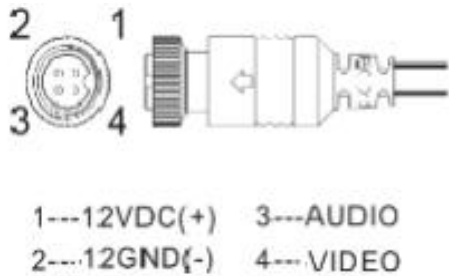
## Specification

CMOS	1/3" SONY 1.27M pixels CMOS
Resolution	800TVL
Format	NTSC
Minimum illumination	0.005Lux
Synchronizing System	Internal Synchronization
S/N	≥50dB (AGC off)
Lens	2.5mm/2.8mm/3.6mm/6.0mm M12 lens optional
Electronic shutter	Auto
White balance mode	Auto
Color to black	Auto
Gamma Correction	0.45
Video output	1.0Vp-p video output,75 Ohm, 4-pin aviation cable
Power	DC12V±10%
Consumption(Max.)	210 ± 10mA
Working temperature	-20°C ~ 55°C / 0%-90%
Dimension	Φ95*72.7mm

Dimension (Unit: mm)



Video Output



Solution Reference

